

MSF24 SURGE HOPPER MODULE



The Terex® MSF24 stand-alone surge hopper is designed to increase productivity by providing a constant feed of material to Terex Minerals Processing Systems modular plants.

STANDARD FEATURES

Module Structure

- ▶ Bolts together on-site, quick setup time with basic tools
- ▶ Pre-wired “plug and play” design, minimal on-site wiring
- ▶ Control panel with motor starter and phase reverse braking
- ▶ Extra heavy-duty I-beam frame
- ▶ Galvanized or painted steel structure
- ▶ Transports easily in a shipping container and is systematically packed for quick site set up

Surge Hopper

- ▶ 57 ton (52 tonne) live capacity
- ▶ 3/4" (19 mm) steel floor
- ▶ 3/8" (9.5 mm) steel side walls
- ▶ 49' (15 m) interlock cable to allow downstream monitoring
- ▶ Level control tilt switch

Pan Feeder

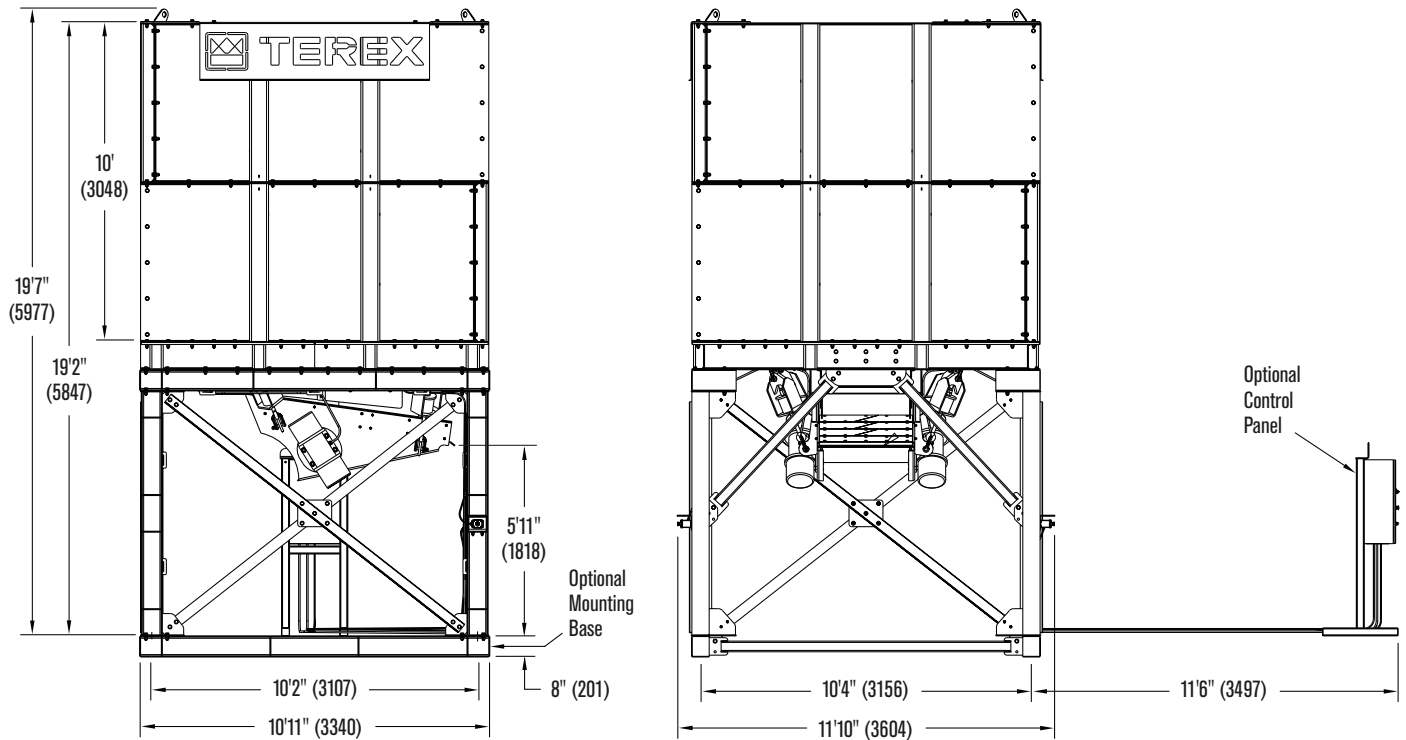
- ▶ Terex® Simplicity 36" x 72" (914 x 1829 mm) vibrating pan feeder with variable speed controller
- ▶ Replaceable wear resistant liners in trough and hopper inlet section
- ▶ Twin unbalanced motor drive, 2.5 hp (1.9 kW)

OPTIONAL EQUIPMENT

- ▶ Mounting base

SPECIFICATIONS

Terex® Minerals Processing Systems MSF24 Surge Hopper Module



MSF24 SPECIFICATIONS

Static Weight (unit empty)	22,000 lbs (9980 kg)
Live Capacity	57 tons (52 tonnes)
Total Capacity	64 tons (58 tonnes)
Bin Length x Width x Height	10' x 10' x 10' (3048 x 3048 x 3048 mm)
Feed Height	19'2" (5847 mm)
Product Discharge Height	5'11" (1818 mm)

www.terexmps.com

Effective Date: July 2014. Product specifications and prices are subject to change without notice or obligation. The photographs and/or drawings in this document are for illustrative purposes only. Refer to the appropriate Operator's Manual for instructions on the proper use of this equipment. Failure to follow the appropriate Operator's Manual when using our equipment or to otherwise act irresponsibly may result in serious injury or death. The only warranty applicable to our equipment is the standard written warranty applicable to the particular product and sale and Terex makes no other warranty, express or implied. All rights are reserved. Terex, the Terex Crown design, Works For You, and Simplicity are trademarks of Terex Corporation or its subsidiaries. © 2014 Terex Minerals Processing Systems.

Terex® Minerals Processing Systems, 909 17th Street NE, Cedar Rapids, IA 52402 USA
Tel +1 319 363 3511 Fax +1 319 399 4871 www.terexmps.com

Form 25875 (7/14)



WORKS FOR YOU.™